

VASO INERZIALE

D.H.W. ACCUMULATION TANK



APPLICATION

Production and storage of sanitary hot water.

MATERIAL

Material and finishings, suitable for drinkable water according to D. M. n. 174 dated 06.04.04,:

- Mild steel Polywarm® coated (certification ACS - SSICA - DVGW - W270-UBA - WRAS)
- Galvanized Steel

INSULATION

NOFIRE® polyester fibre 100% made of recyclable material, with high thermal insulation. Fire resistance class B-s2d0 according to EN 13501. Grey PVC external lining complete with top and flange cover

HE SERIES: High thermal insulation with ecological hard polyurethane foam.

CATHODE PROTECTION

Magnesium anode with anoden tester (Polywarm®) - Magnesium anode (Galvanized)- Models > 1500 n° 2 magnesium anodes.

DRAIN

External confluence through drain connection.

Models > It 1000 external confluence through drain pipe.

GASKET- FLANGE PLATE

Silicone gaskets suitable for alimentary use for max temperature up to 200°C. Mild steel inspection flange plate with Polywarm® or anticorrosion treatment (for galvanized version).

WARRANTY

- 5 years (Polywarm®) - 2 years (Galvanized)-See general sales conditions and warranty.

ACCESSORIES AND SPARE PARTS: See Accessories section for the entire list.



VASO INERZIALE WC VT

ENERGY EFFICIENCY CLASS

Model	D.H.W. Storage: POLYWARM® coated	ErP
	Art. Nr.	
200	3060161620102	E
300	3060161620103	E
500	3060161620104	E
800	3060161620105	F
1000	3060161620106	F
1500	3060161620107	F
2000	3060161620108	G
2500	3060161620113	
3000	3060161620109	
4000	3060161620110	
5000	3060161620112	

VASO INERZIALE ZC VT

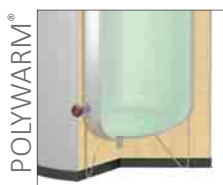
ENERGY EFFICIENCY CLASS

Model	D.H.W. Storage: GALVANIZED coated	ErP
	Art. Nr.	
200	3060161600202	E
300	3060161600203	E
500	3060161600204	E
800	3060161600205	F
1000	3060161600206	F
1500	3060161600207	F
2000	3060161600208	G
2500	3060161600213	
3000	3060161600209	
4000	3060161600210	
5000	3060161600212	

VASO INERZIALE HE SERIES

HIGH EFFICIENCY INSULATION TANKS

Designed according to 2009/125/CE Directive (ErP – Eco-friendly Plan Specification), HE series are already compliant with Regulation n. 814/2013, that demands C-energy efficiency class from September, 26th 2017.



VASO INERZIALE WB HE VT

ENERGY EFFICIENCY CLASS

Model	D.H.W. Storage: POLYWARM® coated	ErP
	Art. Nr.	
200	3060162310102	C
300	3060162310103	C
500	3060162310104	C
800	3060162310105	C
1000	3060162310106	C
1500	3060162310107	C
2000	3060162310108	C

Accessories on request

"Easy Control" Electronic Display

ART. NR.	FOR MODELS
5005000310002	STANDARD
5005000310003	HE SERIES



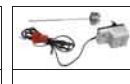
Monophase and Threephase electric resistances



See accessories section

Titanium electronic anode

Art. Nr.	Model
5200000000008	200, 300
5200000000009	500, 800
5200000000011	1000, 1500
5200000000013	2000÷5000



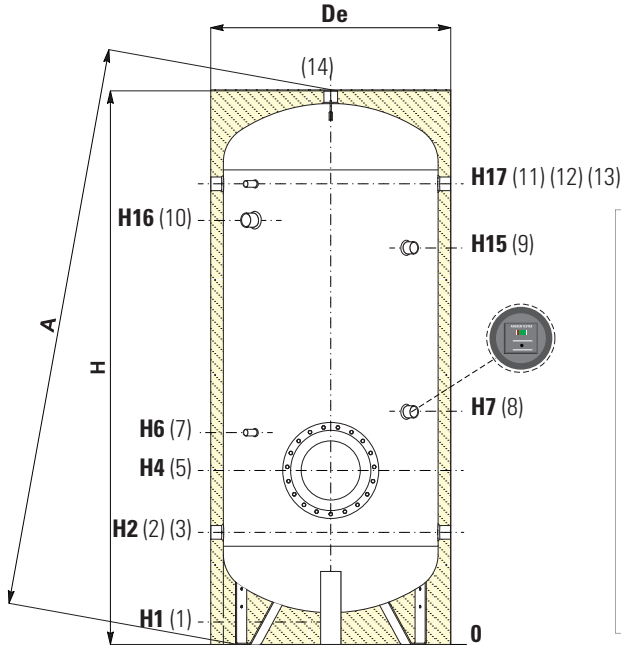
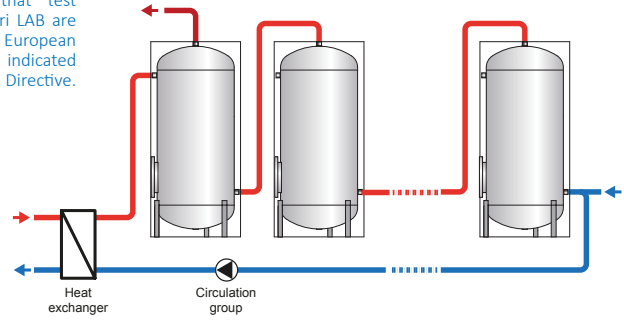
Suitable for Polywarm® coated models

VASO INERZIALE

D.H.W. ACCUMULATION TANK

Model	FINISHING	STORAGE	
		Pmax	Tmax
200 ÷ 1000	POLYWARM*	8 bar	90 °C
1500 ÷ 5000	POLYWARM*	6 bar	
200 ÷ 1000	Galvanized	8 bar	60 °C
1500 ÷ 5000	Galvanized	6 bar	

CORDIVARI Lab
 TÜV Rheinland
 Energie und Umwelt
 GmbH states that test
 procedures and Cordivari LAB are
 certified conforming to European
 standard EN 15332, as indicated
 by Ecodesign ErP Directive.

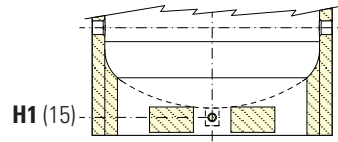
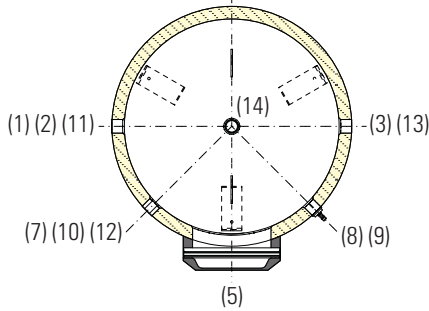


COMPLETE YOUR SYSTEM WITH THE NEW PRS MODULE (FOR IMMEDIATE DHW PREPARATION)



SEE HYDRONIC SECTION

1	Drain for models > 1000 1" Gas F
2	Domestic cold water circuit inlet
3	Delivery to external heat exchanger
5	Blind flange for inspection
7	Connection for instrumentation 1/2" Gas F
8	Connection for magnesium anode 1"1/4 Gas F
9	Connection for 2nd anode 1"1/4 Gas F (for models > 1500)
10	Connection for electrical immersion 1" 1/2 Gas F for models > 800 connection 2" Gas F
11	Recirculation
12	Connection for instrumentation 1/2" Gas F
13	Backflow external heat exchanger
14	Domestic hot water outlet
15	Drain 1" Gas F (only for models > 1000)



Tanks from 1500 to 5000 liters have two grips on the bottom which allow the use of forklift when handling and drain pipe already fitted.

Model	Net Volume [litres]	Weight [kg]	De	De (HE SERIE)	H	A	[mm]					
							H1	H2	H4	H6	H7	
200	189	41	550	550	1441	1542	77	316	401	511	701	
300	290	52	650	650	1549	1680	135	400	485	595	785	
500	499	69	750	750	1841	1988	101	416	501	611	801	
800	791	111	850	900	2163	2343	113	433	518	628	898	
1000	1037	150	950	1000	2217	2432	101	454	539	649	989	
1500	1440	186	1050	1100	2415	2654	109	440	525	635	1075	
2000	1980	223	1200	1300	2492	2811	91	467	542	652	842	
2500	2314	267	1350	//	2311	2627	140	551	626	736	976	
3000	2921	313	1350	//	2811	3076	140	551	626	736	876	
4000	3766	435	1500	//	2875	3193	114	570	645	755	895	
5000	4986	558	1700	//	2915	3325	94	580	655	765	935	

Model	H15	H16	H17	5	1	Connections Gas F					
						2 3 11 13	7 12	8	9	14	15
200	//	1066	1176	∅e 300	1"1/4	1"1/4	1/2"	1"1/4	//	1"1/4	//
300	//	1150	1260	∅e 300	1"1/4	1"1/4	1/2"	1"1/4	//	1"1/4	//
500	//	1370	1526	∅e 300	1"1/4	1"1/4	1/2"	1"1/4	//	1"1/4	//
800	//	1638	1793	∅e 300	1"1/4	1"1/4	1/2"	1"1/4	//	1"1/4	//
1000	//	1660	1814	∅e 300	1"1/2	1"1/2	1/2"	1"1/4	//	1"1/2	//
1500	//	1895	2050	∅e 300	//	1"1/2	1/2"	1"1/4	//	2"	1"
2000	1952	1877	2057	∅e 300	//	2"	1/2"	1"1/4	1"1/4	2"	1"
2500	1816	1732	1891	∅e 300	//	2"	1/2"	1"1/4	1"1/4	2"	1"
3000	2316	2232	2391	∅e 300	//	2"	1/2"	1"1/4	1"1/4	2"	1"
4000	2315	2238	2410	∅e 300	//	2"	1/2"	1"1/4	1"1/4	2"	1"
5000	2335	2265	2420	∅e 300	//	2"	1/2"	1"1/4	1"1/4	2"	1"

P.E.D. product planned and produced in conformity to the article 3.3 of directive 92/23/CE

VASO INERZIALE A1

D.H.W. ACCUMULATION TANK



APPLICATION

Production and storage of sanitary hot water.

MATERIAL

Material and finishings, suitable for drinkable water according to D. M. n. 174 dated 06.04.04.;

- Mild steel Polywarm® coated (certification ACS- SSICA- DVGW- W270- UBA- WRAS).

INSULATION

Fire resistance class A1 according to EN-13501 made by:

- high thermal insulation fibreglass

- demountable hinged aluminium external lining.

CATHODE PROTECTION

Magnesium anode with anoden tester (Polywarm®) - Models > 1500 n° 2 magnesium anodes.

DRAIN

External confluence through drain connection.

GASKET- FLANGE PLATE

Silicone gaskets suitable for alimentary use for max temperature up to 200°C. Mild steel inspection flange plate with Polywarm® treatment.

WARRANTY

- 5 years- See general sales conditions and warranty.

ACCESSORIES AND SPARE PARTS: See Accessories section for the entire list.



VASO INERZIALE A1 WC VT

ENERGY EFFICIENCY CLASS

Model	D.H.W. Storage: POLYWARM® coated	ErP
	Art. Nr.	
300	3060161621403	E
500	3060161621404	E
800	3060161621405	F
1000	3060161621406	F
1500	3060161621407	F
2000	3060161621408	F
2500	3060161621409	
3000	3060161621411	
4000	3060161621413	
5000	3060161621414	



TECHNICAL DATA AND ECODSIGN ERP LABELS AVAILABLE ONLINE AT WWW.CORDIVARI.COM

COMPACT MODELS

Model	D.H.W. Storage: POLYWARM® coated	ErP
	Art. Nr.	
1500	3060161621415	F
2500	3060161621410	
3000	3060161621412	

Accessories on request

"Easy Control" Electronic Display

ART. NR.
5220280000001



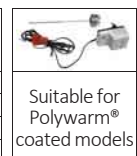
Monophase and Threephase electric resistances



See accessories section

Titanium electronic anode

Art. Nr.	Model
5200000000008	300
5200000000009	500, 800
5200000000011	1000, 1500
5200000000013	2000÷5000



Suitable for Polywarm® coated models


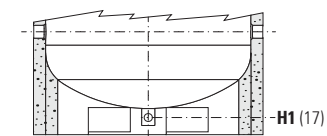
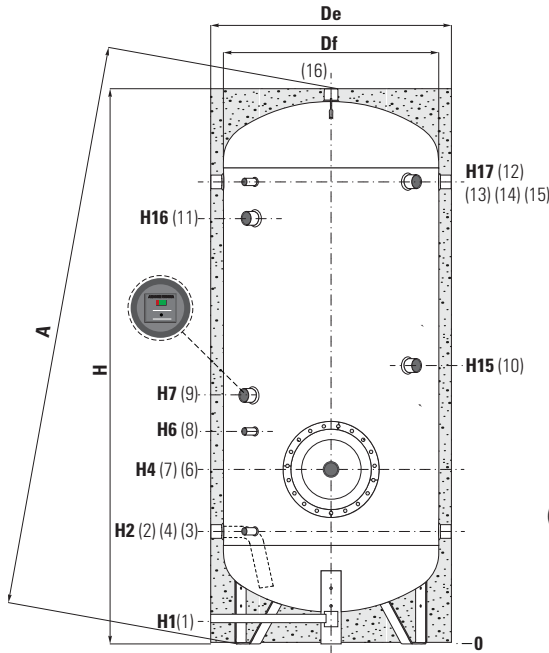
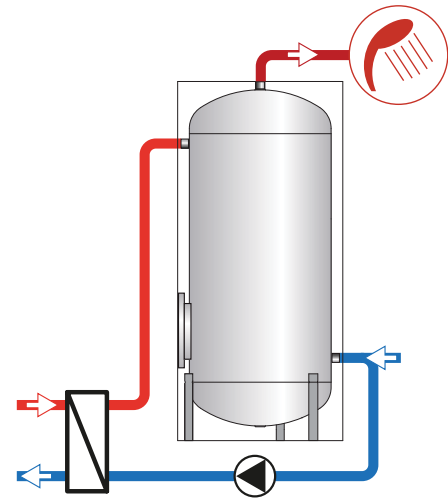
VASO INERZIALE A1

D.H.W. ACCUMULATION TANK

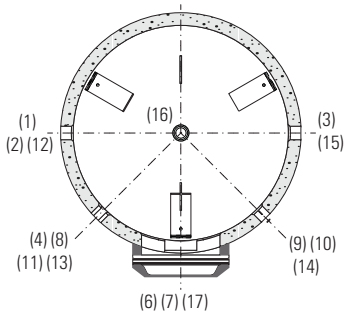
STORAGE		
Model	Pmax	Tmax
300 ÷ 1000	8 bar	90 °C
1500 ÷ 5000	6 bar	

CORDIVARI Lab
 TÜV Rheinland
 Energie und Umwelt
 GmbH states that test
 procedures and Cordivari LAB are
 certified conforming to European
 standard EN 15332, as indicated
 by Ecodesign ErP Directive.

COMPLETE YOUR SYSTEM WITH THE NEW PRS MODULE (FOR IMMEDIATE DHW PREPARATION) SEE HYDRONIC SECTION

Tanks from 1500 to 5000 liters have two grips on the bottom which allow the use of forklift when handling and drain pipe already fitted.



1	Drain
2	Domestic cold water circuit inlet
3	Delivery to external heat exchanger
4	Connection for instrumentation 1/2" Gas F
6	Connection for electrical resistance
7	Blind flange for inspection
8	Connection for instrumentation 1/2" Gas F
9	Connection for magnesium anode 1"1/4 Gas F
10	Connection for electrical resistance
11	Connection for 2nd anode 1"1/4 Gas F (for models > 1500)
12	Exchanger return
13	Connection for instrumentation 1/2" Gas F
14	Connection for electrical resistance 1" 1/2 Gas F
15	Recirculation
16	Domestic hot water outlet
17	Drain 1" Gas F (for models > 1000)

Model	Net Volume [litres]	Weight [kg]	Df	De	H	A	H1	H2	H4
300	289	94	550	750	1599	1766	123	400	485
500	501	125	650	850	1901	2082	114	416	501
800	789	185	750	950	2188	2385	101	433	568
1000	1007	228	850	1050	2188	2427	89	454	739
1500	1421	300	1000	1200	2228	2531	107	458	743
2000	2004	352	1250	1450	2111	2561	140	551	826
2500	2308	386	1250	1450	2361	2771	140	551	826
3000	2913	469	1250	1450	2861	3207	140	551	826
4000	3983	642	1600	1800	2465	3052	94	580	855
5000	4975	749	1600	1800	2965	3469	94	580	855

Model	Net Volume [litres]	Weight [kg]	Df	De	H	A	H1	H2	H4
1500	1503	309	1100	1300	1992	2379	91	457	742
2500	2620	441	1400	1600	2175	2700	114	570	845
3000	3021	487	1500	1700	2190	2772	109	575	850

Model	H6	H7	H15	H16	H17	7	Connections Gas F			
							2-3-12-15	6	10	16
[mm]										
300	595	735	835	//	1260	∅e 300	1"1/4	1"1/2	2"	1" 1/4
500	611	881	981	//	1536	∅e 300	1"1/4	1"1/2	2"	1" 1/4
800	718	1018	1118	//	1793	∅e 380	1"1/4	1"1/2	2"	1" 1/4
1000	939	1139	1239	//	1760	∅e 512	1"1/2	2" 1/2	2"1/2	1" 1/2
1500	943	1143	1243	//	1818	∅e 512	1"1/2	2" 1/2	2"1/2	2"
2000	1026	1176	1286	1491	1641	∅e 512	2"	2" 1/2	2"1/2	2"
2500	1026	1221	1321	1666	1891	∅e 512	2"	2" 1/2	2"1/2	2"
3000	1026	1376	1476	2166	2391	∅e 512	2"	2" 1/2	2"1/2	2"
4000	1055	1205	1325	1770	1920	∅e 512	2"	2" 1/2	2"1/2	2"
5000	1055	1355	1475	2195	2420	∅e 512	2"	2" 1/2	2"1/2	2"

Model	H6	H7	H15	H16	H17	7	Connections Gas F			
							2-3-12-15	6	10	16
[mm]										
1500	942	1142	1242	//	1567	∅e 512	1"1/2	2" 1/2	2"1/2	2"
2500	1045	1195	1295	1510	1660	∅e 512	2"	2" 1/2	2"1/2	2"
3000	1050	1200	1300	1515	1665	∅e 512	2"	2" 1/2	2"1/2	2"

P.E.D. product planned and produced in conformity to the article 3.3. of directive 92/23/CE

EXTRA CALORIFIERS
D.H.W. STORAGE

PIASTRATERM® ISP



CALORIFIERS WITH STAINLESS STEEL D.H.W. PLATE TO PLATE HEAT EXCHANGER



APPLICATION

Production and storage of sanitary hot water.

MATERIAL

Material and finishings, suitable for drinkable water according to D. M. n. 174 dated 06.04.04.:

- Mild steel Polywarm® coated (certification ACS- SSICA- DVGW - W270- UBA- WRAS)

HEAT EXCHANGER:

Stainless steel 316L plate to plate heat exchanger.

INSULATION

NOFIRE® polyester fibre 100% made of recyclable material, with high thermal insulation. Fire resistance class B-s2d0 according to EN 13501. Grey PVC external lining complete with top and flange cover

HE SERIES: High thermal insulation with ecological hard

polyurethane foam.

CATHODE PROTECTION

Magnesium anode with anoden tester (Polywarm®) - Models > 1500 n° 2 magnesium anodes.

DRAIN

External confluence through drain connection.

Models > lt 1000 external confluence through drain pipe.

GASKET- FLANGE PLATE

Silicone gaskets suitable for alimentary use for max temperature up to 200°C. Mild steel inspection flange plate with Polywarm® treatment.

WARRANTY

- 5 years- See general sales conditions and warranty.

ACCESSORIES AND SPARE PARTS

See Accessories section for the entire list.



ENERGY EFFICIENCY CLASS

PIASTRATERM® ISP

Model		D.H.W. Storage: POLYWARM® coated - STAINLESS STEEL 316L- plate to plate heat exchanger (PHC 3120)							ErP
		Nr. of plates							
		9	13	17	21	25	29	33	
200	Art. Nr.	3170161701101	3170161701102	3170161701103	3170161701104	3170161701105			E
300	Art. Nr.	3170161701111	3170161701112	3170161701113	3170161701114	3170161701115			E
500	Art. Nr.	3170161701121	3170161701122	3170161701123	3170161701124	3170161701125	3170161701126	3170161701127	E
800	Art. Nr.	3170161701131	3170161701132	3170161701133	3170161701134	3170161701135	3170161701136	3170161701137	F
1000	Art. Nr.	3170161701141	3170161701142	3170161701143	3170161701144	3170161701145	3170161701146	3170161701147	F
1500	Art. Nr.			3170161701153	3170161701154	3170161701155	3170161701156	3170161701157	F
2000	Art. Nr.			3170161701163	3170161701164	3170161701165	3170161701166	3170161701167	G
80	Therm. output KW	43	76	109	143	176	210	244	
10/45	A.C.S. lt./h	1054	1862	2671	3504	4312	5145	5978	
65	Therm. output KW	38	60	91	110	131	165	182	
10/45	A.C.S. lt./h	931	1470	2230	2695	3210	4043	4459	

PIASTRATERM® ISP HE SERIES

HIGH EFFICIENCY INSULATION TANKS

Designed according to 2009/125/CE Directive (ErP – Eco-friendly Plan Specification), HE series are already compliant with Regulation n. 814/2013, that demands C-energy efficiency class from September, 26th 2017.



ENERGY EFFICIENCY CLASS

PIASTRATERM® ISP HE

Model		D.H.W. Storage: POLYWARM® coated - STAINLESS STEEL 316L- plate to plate heat exchanger (PHC 3120)							ErP
		Nr. of plates							
		9	13	17	21	25	29	33	
200	Art. Nr.	3170161721001	3170161721002	3170161721003	3170161721004	3170161721005			C
300	Art. Nr.	3170161721011	3170161721012	3170161721013	3170161721014	3170161721015			C
500	Art. Nr.	3170161721021	3170161721022	3170161721023	3170161721024	3170161721025	3170161721026	3170161721027	C
800	Art. Nr.	3170161721031	3170161721032	3170161721033	3170161721034	3170161721035	3170161721036	3170161721037	C
1000	Art. Nr.	3170161721041	3170161721042	3170161721043	3170161721044	3170161721045	3170161721046	3170161721047	C
1500	Art. Nr.			3170161721053	3170161721054	3170161721055	3170161721056	3170161721057	C
2000	Art. Nr.			3170161721063	3170161721064	3170161721065	3170161721066	3170161721067	C
80	Therm. output KW	43	76	109	143	176	210	244	
10/45	A.C.S. lt./h	1054	1862	2671	3504	4312	5145	5978	
65	Therm. output KW	38	60	91	110	131	165	182	
10/45	A.C.S. lt./h	931	1470	2230	2695	3210	4043	4459	

Accessories on request

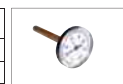
"Easy Control" Electronic Display

ART. NR.	FOR MODELS
5005000310002	STANDARD
5005000310003	HE SERIES



Thermometer

Art. Nr.
5032240000107
5 units box



TECHNICAL DATA AND ECODESIGN ERP LABELS AVAILABLE ONLINE AT WWW.CORDIVARI.COM

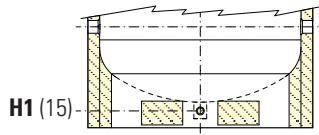
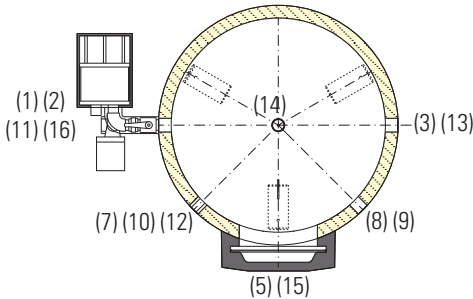
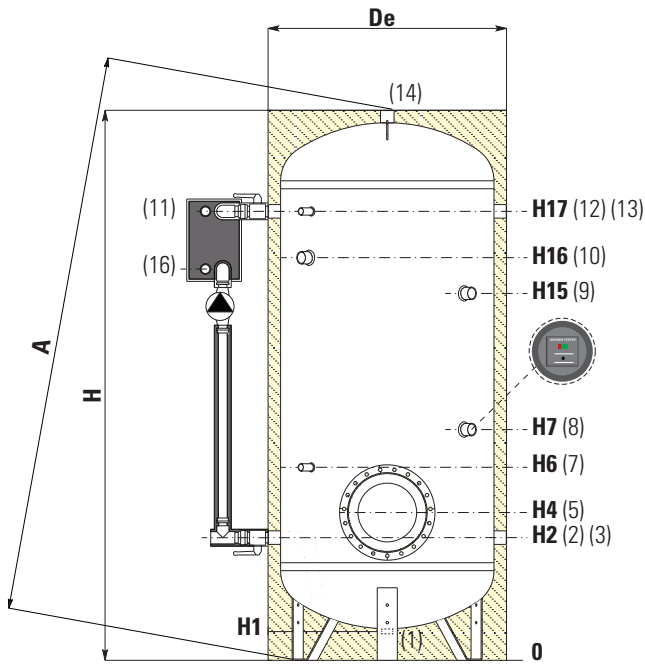
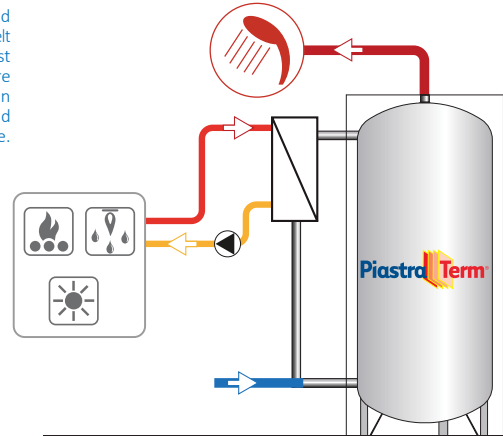
PIASTRATERM® ISP

CALORIFIERS WITH STAINLESS STEEL D.H.W. PLATE TO PLATE HEAT EXCHANGER

Model	STORAGE		HEAT EXCHANGERS		D.H.W. HARDNESS
	Pmax	Tmax	Pmax	Tmax	F max
200 ÷ 1000	8 bar	90 °C	12 bar	99 °C	30 °f
1500 ÷ 2000	6 bar				



CORDIVARI® Lab
 TÜV Rheinland Energie und Umwelt GmbH states that test procedures and Cordivari LAB are certified conforming to European standard EN 15332, as indicated by Ecodesign ErP Directive.



1	Drain
2	Domestic cold water circuit inlet
3	Alternative Sanitary water inlet or connection for more boilers
5	Blind flange for inspection
7	Connection for instrumentation 1/2" Gas F
8	Connection for magnesium anode 1" 1/4 Gas F
9	Connection for 2nd anode 1" 1/4 Gas F (only for models > 1500)
10	Connection for electrical immersion 1" 1/2 Gas F for models > 800 connection 2" Gas F
11	Entry heating water from the buffer 1" 1/4 Gas F
12	Connection for instrumentation 1/2" Gas F
13	Recirculation
14	Domestic hot water outlet
15	DRAIN 1" Gas F (for models > 1000)
16	Heating water back to the buffer 1" 1/4 Gas F

Tanks from 1500 to 2000 have two grips on the bottom which allow the use of forklift when handling and drain pipe already fitted.

Model	Net Volume [litres]	De	De (HE SERIE)	H	A	H1	H2	H4	H6	H7
200	189	550	550	1441	1542	77	316	401	511	701
300	290	650	650	1549	1680	135	400	485	595	785
500	499	750	750	1841	1988	101	416	501	611	801
800	791	850	900	2163	2343	113	433	518	628	898
1000	1037	950	1000	2217	2432	101	454	539	649	989
1500	1440	1050	1100	2415	2654	109	440	525	635	1075
2000	1980	1200	1300	2492	2811	91	467	542	652	842

Model	H15	H16	H17	5	1	2 3 13	7 12	8	9	14
Connections Gas F										
200	//	1066	1176	Øe 300	1"1/4	1"1/4	1/2"	1"1/4	//	1"1/4
300	//	1150	1260	Øe 300	1"1/4	1"1/4	1/2"	1"1/4	//	1"1/4
500	//	1370	1526	Øe 300	1"1/4	1"1/4	1/2"	1"1/4	//	1"1/4
800	//	1638	1793	Øe 300	1"1/4	1"1/4	1/2"	1"1/4	//	1"1/4
1000	//	1660	1814	Øe 300	1"1/2	1"1/2	1/2"	1"1/4	//	1"1/2
1500	//	1895	2050	Øe 300	//	1"1/2	1/2"	1"1/4	//	2"
2000	1952	1877	2057	Øe 300	//	2"	1/2"	1"1/4	1"1/4	2"

P.E.D. product planned and produced in conformity to the article 3.3. of directive 92/23/CE

PIASTRATERM® SLB



CALORIFIERS WITH STAINLESS STEEL D.H.W. BRAZED PLATE HEAT EXCHANGER



APPLICATION

Production and storage of sanitary hot water.

MATERIAL

Material and finishings, suitable for drinkable water according to D. M. n. 174 dated 06.04.04.:

- Mild steel Polywarm® coated (certification ACS- SSICA- DVGW - W270- UBA- WRAS)

HEAT EXCHANGER:

Stainless steel 316L brazed plate heat exchanger.

INSULATION

NOFIRE® polyester fibre 100% made of recyclable material, with high thermal insulation. Fire resistance class B-s2d0 according to EN 13501. Grey PVC external lining complete with top and flange cover

HE SERIES: High thermal insulation with ecological hard

polyurethane foam.

CATHODE PROTECTION

Magnesium anode with anoden tester (Polywarm®) - Models > 1500 n° 2 magnesium anodes.

DRAIN

External confluence through drain connection.

Models > It 1000 external confluence through drain pipe.

GASKET- FLANGE PLATE

Silicone gaskets suitable for alimentary use for max temperature up to 200°C. Mild steel inspection flange plate with Polywarm® treatment.

WARRANTY

- 5 years- See general sales conditions and warranty.

ACCESSORIES AND SPARE PARTS

See Accessories section for the entire list.



PIASTRATERM® SLB

ENERGY EFFICIENCY CLASS

Model		D.H.W. Storage: POLYWARM® - STAINLESS STEEL 316L brazed plate heat exchanger					ErP
		Nr. of plates					
		14	20	30	40	50	
200	Art. Nr.	3170161702101					E
300	Art. Nr.	3170161702111	3170161702112				
500	Art. Nr.	3170161702121	3170161702122	3170161702123			E
800	Art. Nr.		3170161702132	3170161702133	3170161702134		
1000	Art. Nr.			3170161702143	3170161702144	3170161702145	E
1500	Art. Nr.				3170161702154	3170161702155	
2000	Art. Nr.					3170161702165	G
80 10/45	Therm. output KW	38	72	120	150	200	
	A.C.S. lt./h	887	1680	2801	3501	4668	
65 10/45	Therm. output KW	21	42	74	95	129	
	A.C.S. lt./h	483	972	1722	2228	3019	

PIASTRATERM® SLB HE SERIES

HIGH EFFICIENCY INSULATION TANKS

Designed according to 2009/125/CE Directive (ErP – Eco-friendly Plan Specification), HE series are already compliant with Regulation n. 814/2013, that demands C-energy efficiency class from September, 26th 2017.



PIASTRATERM® SLB HE

ENERGY EFFICIENCY CLASS

Model		D.H.W. Storage: POLYWARM® - STAINLESS STEEL 316L brazed plate heat exchanger					ErP
		Nr. of plates					
		14	20	30	40	50	
200	Art. Nr.	3170161722101					C
300	Art. Nr.	3170161722111	3170161722112				
500	Art. Nr.	3170161722121	3170161722122	3170161722123			C
800	Art. Nr.		3170161722132	3170161722133	3170161722134		
1000	Art. Nr.			3170161722143	3170161722144	3170161722145	C
1500	Art. Nr.				3170161722154	3170161722155	
2000	Art. Nr.					3170161722165	C
80 10/45	Therm. output KW	38	72	120	150	200	
	A.C.S. lt./h	887	1680	2801	3501	4668	
65 10/45	Therm. output KW	21	42	74	95	129	
	A.C.S. lt./h	483	972	1722	2228	3019	

Accessories on request

"Easy Control" Electronic Display

ART. NR.	FOR MODELS
5005000310002	STANDARD
5005000310003	HE SERIES



Thermometer

Art. Nr.
5032240000107
5 units box



TECHNICAL DATA AND ECODSIGN ERP LABELS AVAILABLE ONLINE AT WWW.CORDIVARI.COM

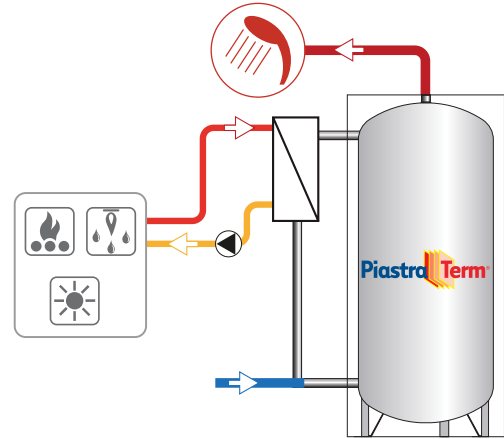
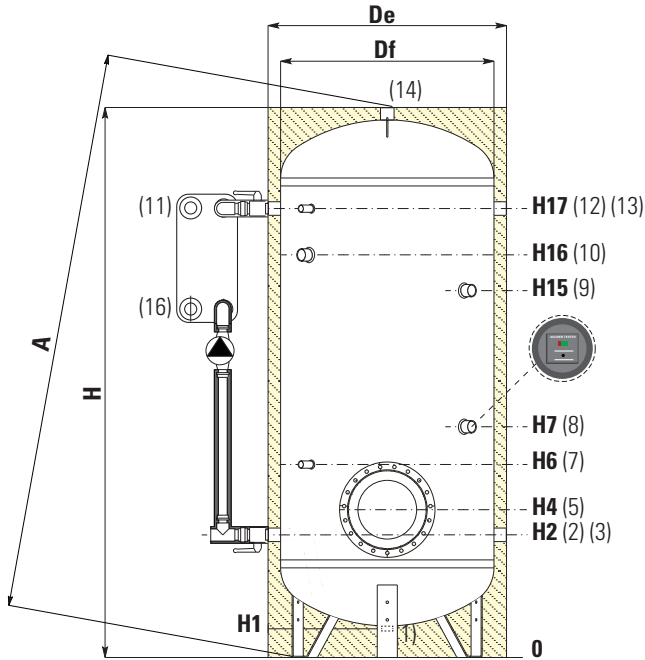
PIASTRATERM® SLB

CALORIFIERS WITH STAINLESS STEEL D.H.W. BRAZED PLATE HEAT EXCHANGER

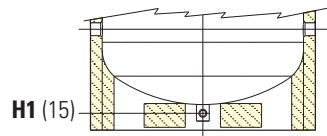
EXTRA CALORIFIERS
D.H.W. STORAGE

Model	STORAGE		HEAT EXCHANGERS		D.H.W. HARDNESS
	Pmax	Tmax	Pmax	Tmax	F max
200 ÷ 1000	8 bar	90 °C	12 bar	99 °C	30 °f
1500 ÷ 2000	6 bar				

CORDIVARI® Lab
TÜV Rheinland
Energie und Umwelt
GmbH states that test
procedures and Cordivari LAB are
certified conforming to European
standard EN 15332, as indicated
by Ecodesign ErP Directive.



1	Drain
2	Domestic cold water circuit inlet
3	Alternative Sanitary water inlet or connection for more boilers
5	Blind flange for inspection
7	Connection for instrumentation 1/2" Gas F
8	Connection for magnesium anode 1" 1/4 Gas F
9	Connection for 2nd anode 1" 1/4 Gas F (only for models > 1500)
10	Connection for electrical immersion 1" 1/2 Gas F for models > 800 connection 2" Gas F
11	Entry heating water from the buffer 1" 1/4 Gas F
12	Connection for instrumentation 1/2" Gas F
13	Recirculation
14	Domestic hot water outlet
15	Drain 1" Gas F (for models > 1000)
16	Heating water back to the buffer 1" 1/4 Gas F



Tanks from 1500 to 2000 have two grips on the bottom which allow the use of forklift when handling and drain pipe already fitted.

Model	Net Volume [litres]	De	De (HE SERIE)	H	A	H1	H2	H4	H6	H7
[mm]										
200	189	550	550	1441	1542	77	316	401	511	701
300	290	650	650	1549	1680	135	400	485	595	785
500	499	750	750	1841	1988	101	416	501	611	801
800	791	850	900	2163	2343	113	433	518	628	898
1000	1037	950	1000	2217	2432	101	454	539	649	989
1500	1440	1050	1100	2415	2654	109	440	525	635	1075
2000	1980	1200	1300	2492	2811	91	467	542	652	842

Model	H15	H16	H17	5	1	2 3 13	7 12	8	9	14
[mm]										
Connections Gas F										
200	//	1066	1176	Øe 300	1"1/4	1"1/4	1/2"	1"1/4	//	1"1/4
300	//	1150	1260	Øe 300	1"1/4	1"1/4	1/2"	1"1/4	//	1"1/4
500	//	1370	1526	Øe 300	1"1/4	1"1/4	1/2"	1"1/4	//	1"1/4
800	//	1638	1793	Øe 300	1"1/4	1"1/4	1/2"	1"1/4	//	1"1/4
1000	//	1660	1814	Øe 300	1"1/2	1"1/2	1/2"	1"1/4	//	1"1/2
1500	//	1895	2050	Øe 300	//	1"1/2	1/2"	1"1/4	//	2"
2000	1952	1877	2057	Øe 300	//	2"	1/2"	1"1/4	1"1/4	2"

P.E.D. product planned and produced in conformity to the article 3.3. of directive 92/23/CE